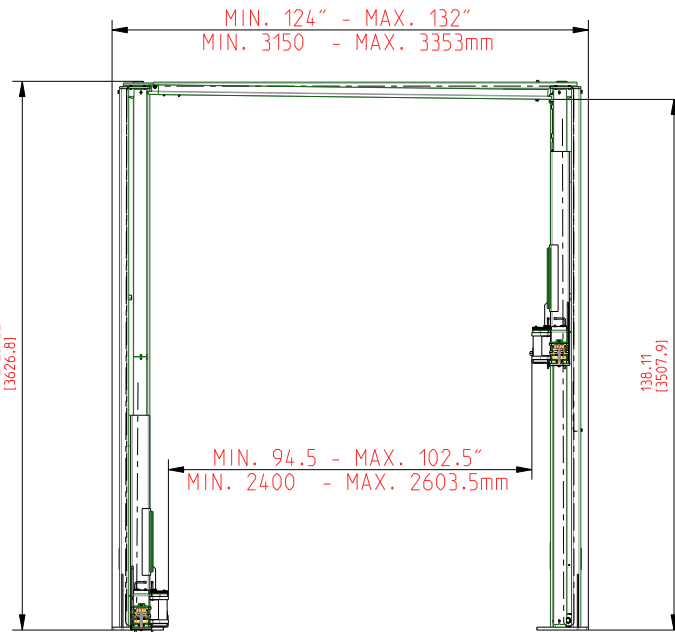
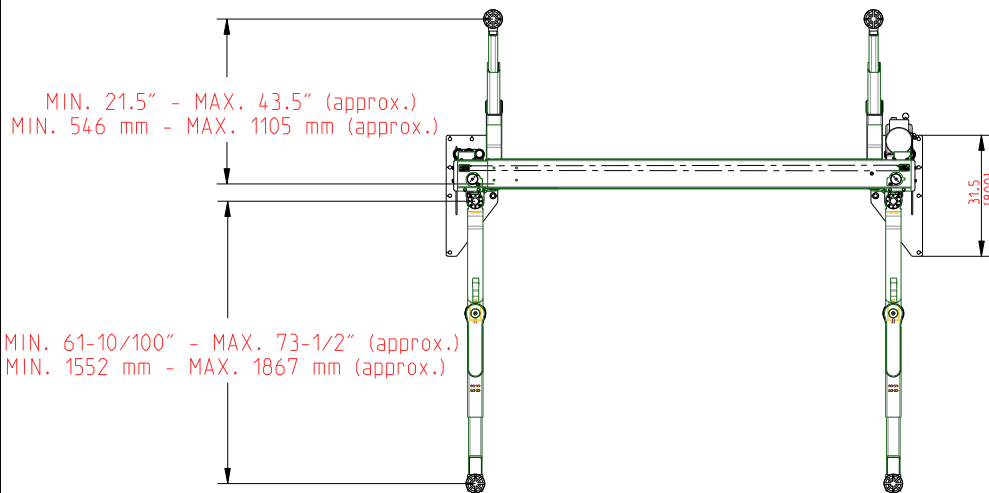
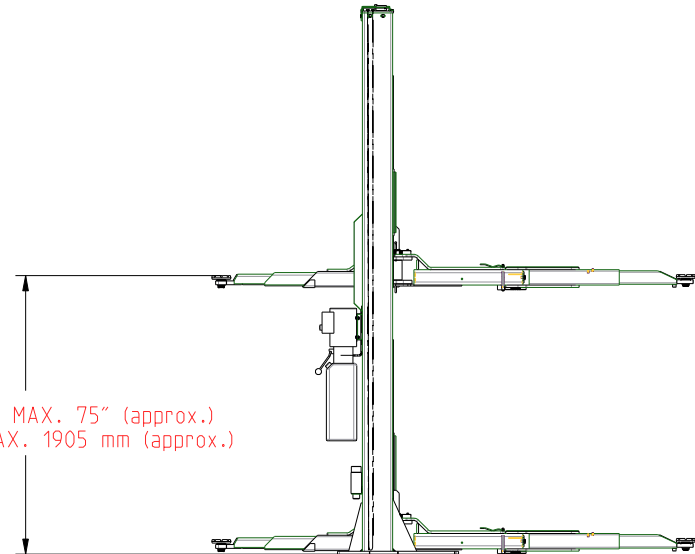


SPL10.000 SHORT
OTTO ARMS
TELESCOPIC TRAVERSE



Min. Ceiling
Height: 12ft



LIFTING HEIGHT
MAX: 75"
MIN: 4-3/8"
(INCLUDING
ADAPTER)

		ALL DIMENSIONS IN INCHES (in mm) INTERPRET DRAWING PER ASME Y14.5-1994		scale: 3:100	weight: 2839572706.107 lbs	
				materials / semifinished TELESCOPIC TRAVERSE; RISE HEIGHT 71"; ELECTRO LATCH		
			Datum	Name	Naming	
			editor 01.08.13	NK		
			review			
			norm			
				Drawing number	sheet	
b	revised			1.26.22	TR	2100SPL00003
a	revised	19.12.13	NK		of 3	
nr	revision	date	name	origin	Replacement for:	Replacement by: