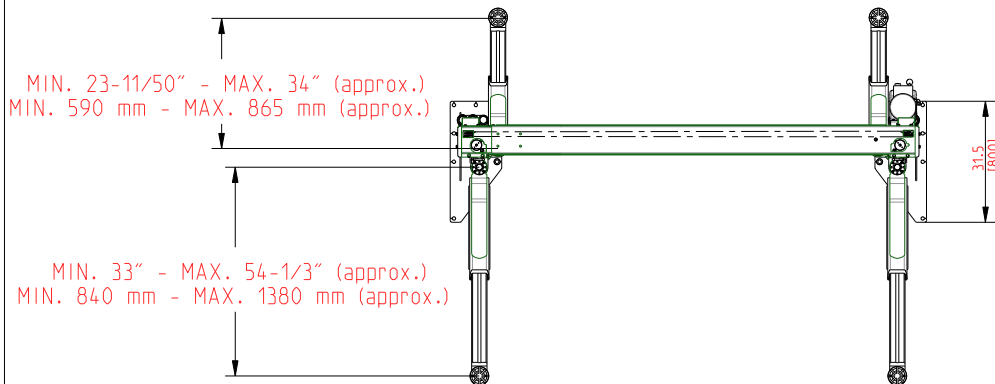
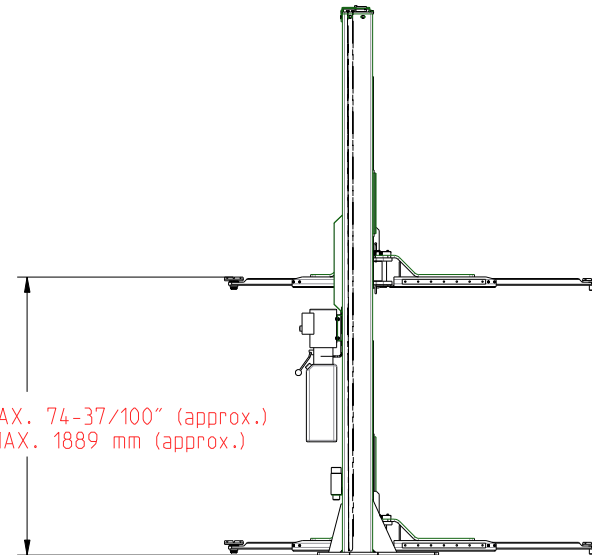
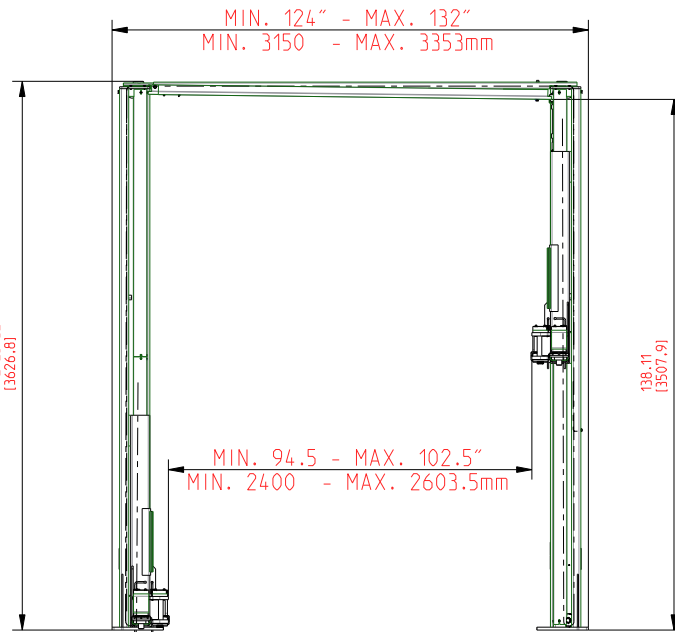


SPL10.000 SHORT
LOW PROFILE ARMS
TELESCOPIC TRAVERSE



LIFTING HEIGHT
MAX: 74-37/100"
MIN: 3-18/25"
(INCLUDING
ADAPTER)

				ALL DIMENSIONS IN INCHES (in mm) INTERPRET DRAWING PER ASME Y14.5-1994		scale: 3:100	weight: 2743874926.328 lbs
						materials / semifinished TELESCOPIC TRAVERSE; RISE HEIGHT 71"; ELECTRO LATCH	
						Naming	
						SPL10.000	
						Drawing number	sheet
						2100SPL00003	1
						Replacement for:	of 3
						Replacement by:	
b	revised	1.26.22	TR				
a	revised	19.12.13	NK				
nr	revision	date	name			origin	