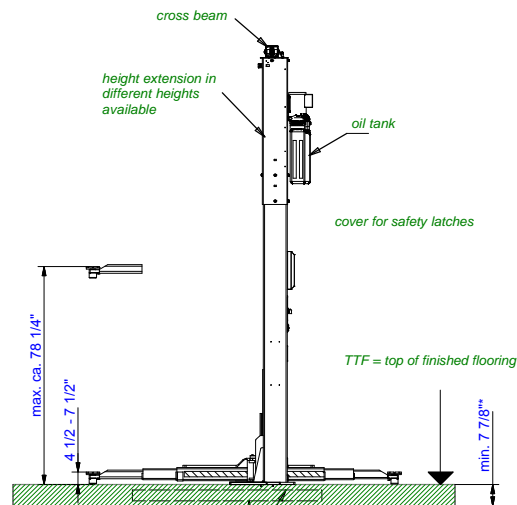
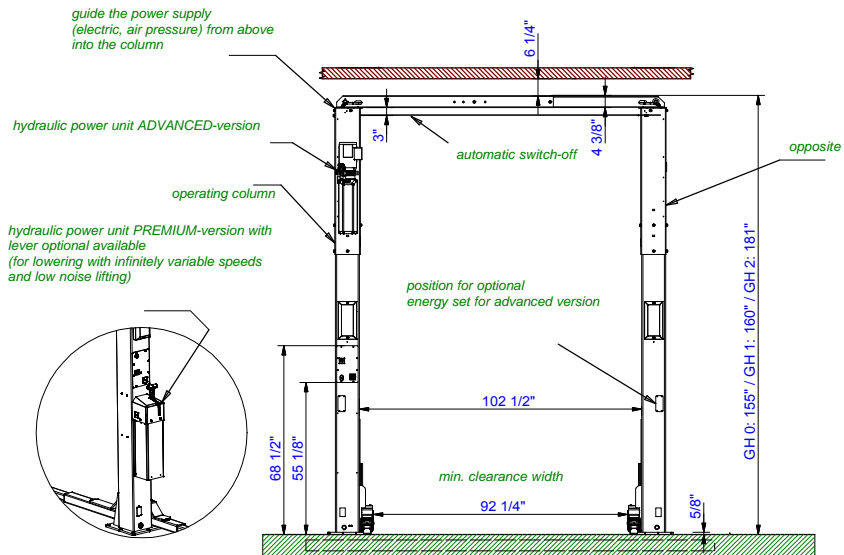
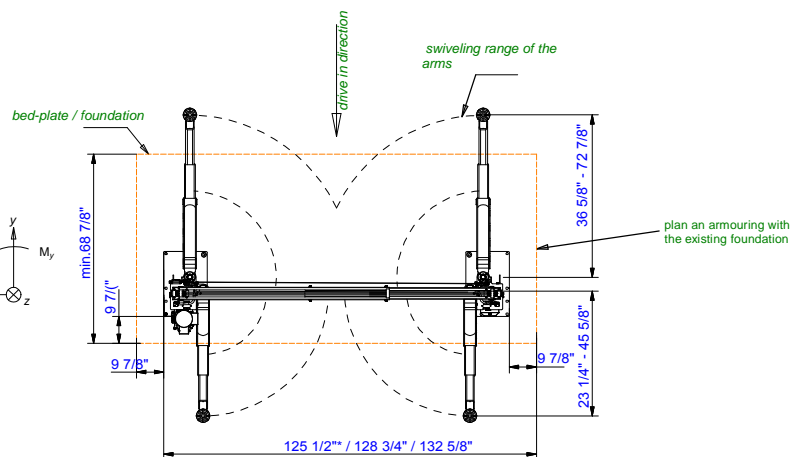
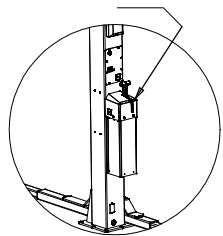


Keep min. 160mm distance for installation between the automotive lift and the ceiling

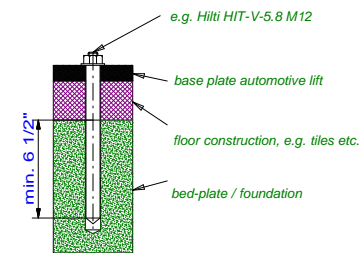
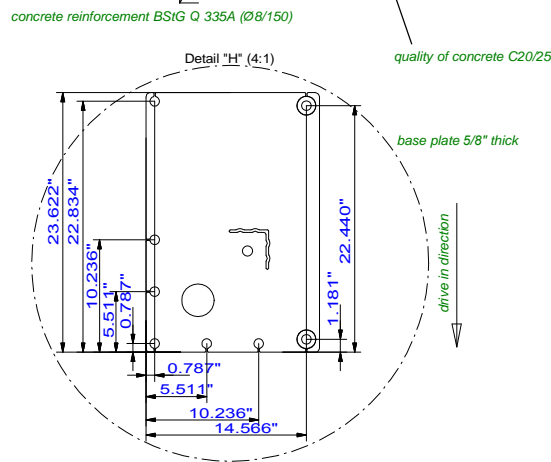


We point out the minimum requirement of the foundation in our plans. The condition of the specific local situation (for example: ground under the foundation) does not lie our responsibility. The installation situation must be individually specified from the planning architect or structural engineer. This means that there is a commitment on site of the foundation (foundation size, thickness, reinforcement ...) taking into account the acting cut sizes and anchoring operations must take place.

(*) minimum concrete thickness without floor pavement / tiles



*recommended installation width 3188mm = 125,5" (sleeve 246SLH04428 must be installed to shorten the synchronization ropes)



Observe the min. anchorage of the dowels. With floor pavements use longer dowels. Observe the regulation of the dowel manufacturer

all dimensions in inch!
dimensions and design changes reserved!

capacity: 10 000 lbs

Prepared by customer at the operating column:
power supply: 1Ph+PE, 400V, 50Hz
fuse: 20 Ampere, time lag
air pressure for energy set: inner diameter 6mm, 6-10bar energy set (if available) must be supplied externally

max. static forces + power moments per column
F_z = 26 400 N
M_x = ± 31 000 000 Nmm
M_y = ± 22 000 000 Nmm

dynamic factor c=1,151

max. allowed load distribution of the car
1:3 / 3:1 (DIN EN 1493:2010)

246SLH00031, 246SLH00032 (3D CAD-Modell)		Projektionsmethode 1 ISO 5456-2	
ind.	Aender. / modification	Datum	Name
-	-	Bearb.	17.07.2024 MH
-	-	Gepr.	
-	-		
-	-		
-	-		
-	-		
-	-		
-	-		
-	-		
-	-		

Nussbaum

Korker Str. 24, 77694 Kehl
www.nussbaumlifts.com

Benennung / designation

SLH 10 A UNI
SLH 10 P UNI
USA version with 3-Stage arms

Zeichnungsnummer / drawing number

9599