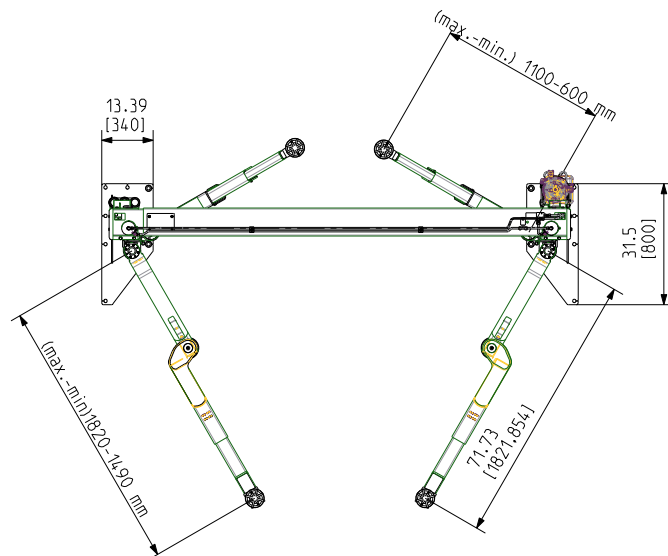
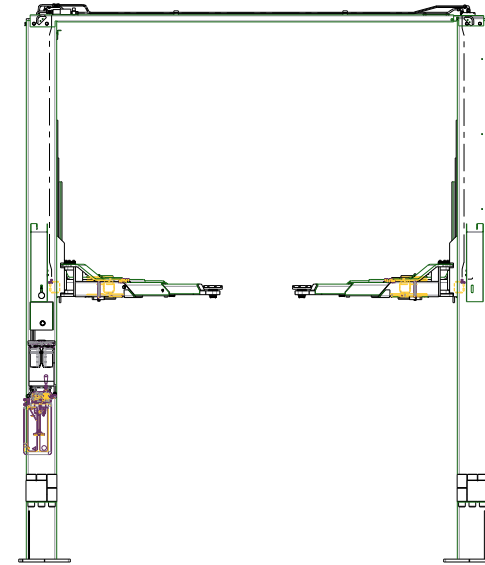
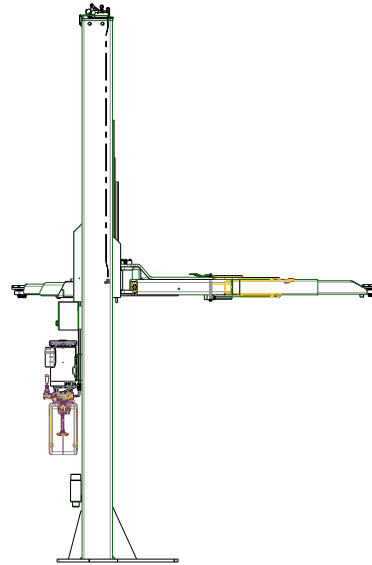
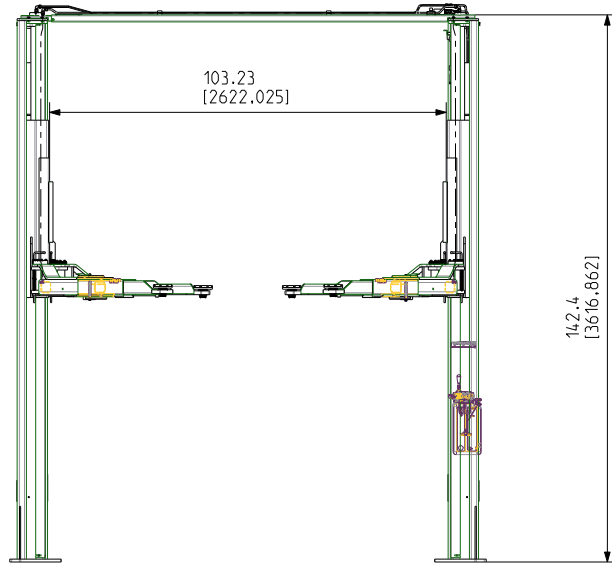


SPL10.000M-HL SHORT
 3S ARMS
 TELESCOPIC TRAVERSE



LIFTING HEIGHT MAX: 72-4/5"
 MIN: 4-11/32"
 (ADAPTER ONLY)

				ALL DIMENSIONS IN INCHES (in mm) INTERPRET DRAWING PER ASME Y14.5-1994		scale: 0.030	weight: 4667.925 lbs
				editor	Datum	materials / seminished TELESCOPIC TRAVERSE; RISE HEIGHT 72-4/5"	
				review	Name	Naming	
				norm		SPL10.000 HF MANUAL	
						Drawing number	sheet
						SPL10000M-HF	1
nr	revision	date	name	origin	Replacement for:		Replacement by:
							of 4